

## **Cool** ❄️ **Boy**®

### **PROFESSIONAL VACUUM LIFTING DEVICE FOR THE SAFE AND RAPID INSTALLATION OF COLD STORE FLAT SURFACED INSULATED PANELS.**

The Cool Boy® vacuum lifter has been developed for the professional installation of flat surfaced insulated cold store panels and it is designed for suspension from a crane, forklift, telehandler or hoist.

The Cool Boy® is a compact, durable and reliable unit capable of handling elements weighing up to 1100 LBS (500Kg) with full maneuverability through 360° rotation and 90° tilt.

Machine specification –

- Compact unit with integral lifting eye
- Fully galvanized structural frame
- Full rotation and tilting functions with locking facility
- Powered by internal rechargeable dry cell battery
- Integrated 110V battery charger
- Complete with storage and transport trolley to allow easy handling
- Compact dimensions with unit weight of only 110 LBS (50Kg)
- Lifting capacity of 1100 LBS (500Kg)
- Audible warning device and indicator lights for safe vacuum level indication
- Clear battery meter with low battery warning
- Secondary fall arrest straps
- Full 12-months warranty of all parts excluding suction seals
- Dedicated examination, testing and certification service.

Complete unit to specification detailed above and supplied with storage and transport trolley and secondary fall arrest straps as required.

### **CONTACT US NOW FOR LATEST PRICES**

All information is given in good faith but no liability is assumed or accepted unless agreed in writing with the supplier.

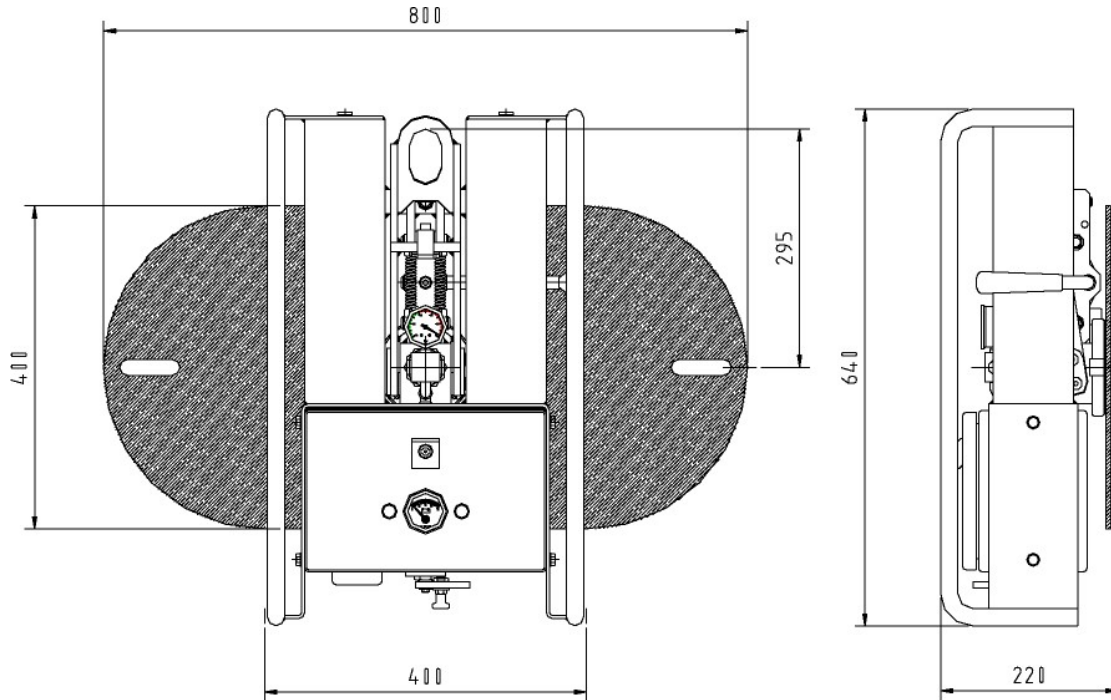
**CLAD BOY**

USA  
1190 Arrowhead Court, Crown Point, IN 46307  
E-mail: info@automakassembly.com  
Phone: 219 310 8458

**Cool** ❄️ **Boy**®

Canada  
425 Admiral Blvd, Unit 2, Mississauga, ON L5T 2N1  
E-mail: info@automakassembly.com  
Phone: 905 283 4877

**ROTA BOY**



## Cool Boy®

SWL = 1100 LBS (500 kg)

**CLAD BOY**

USA  
1190 Arrowhead Court, Crown Point, IN 46307  
E-mail: [info@automakassembly.com](mailto:info@automakassembly.com)  
Phone: 219 310 8458

**Cool Boy®**

Canada  
425 Admiral Blvd, Unit 2, Mississauga, ON L5T 2N1  
E-mail: [info@automakassembly.com](mailto:info@automakassembly.com)  
Phone: 905 283 4877

**ROTA BOY**