



AutoMak Assembly Incorporated



## **PROFESSIONAL VACUUM LIFTING DEVICE FOR THE SAFE AND RAPID INSTALLATION OF COLD STORE FLAT SURFACED INSULATED PANELS.**

The Cool Boy® vacuum lifter has been developed for the professional installation of flat surfaced insulated cold store panels and it is designed for suspension from a crane, forklift, telehandler or hoist.

The Cool Boy® is a compact, durable and reliable unit capable of handling elements weighing up to 1100 LBS (500Kg) with full maneuverability through 360° rotation and 90° tilt.

### Machine specification ó

- Compact unit with integral lifting eye
- Fully galvanized structural frame
- Full rotation and tilting functions with locking facility
- Powered by internal rechargeable dry cell battery
- Integrated 110V battery charger
- Complete with storage and transport trolley to allow easy handling
- Compact dimensions with unit weight of only 110 LBS (50Kg)
- Lifting capacity of 1100 LBS (500Kg)
- Audible warning device and indicator lights for safe vacuum level indication
- Clear battery meter with low battery warning
- Secondary fall arrest straps
- Full 12-months warranty of all parts excluding suction seals
- Dedicated examination, testing and certification service.

Complete unit to specification detailed above and supplied with storage and transport trolley and secondary fall arrest straps as required.

## **CONTACT US NOW FOR LATEST PRICES**

All information is given in good faith but no liability is assumed or accepted unless agreed in writing with the supplier.

***CLAD BOY***

**Cool Boy®**

***ROTA BOY***

**AUTOMAK ASSEMBLY INC.**

1190 Arrowhead Court, Crown Point, IN 46307, USA

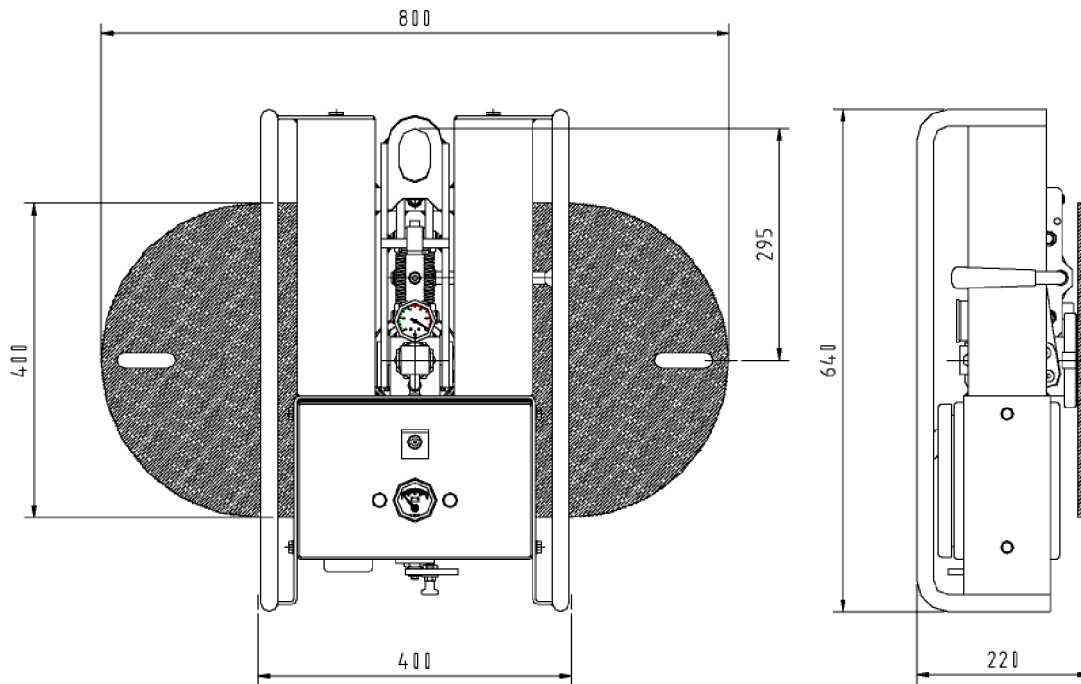
E-mail: [info@automakassembly.com](mailto:info@automakassembly.com) Web: [www.cladboyusa.com](http://www.cladboyusa.com)

Phone: (219) 310 8458

Fax: (219) 779 9246



AutoMak Assembly Incorporated



# Cool Boy®

SWL = 1100 LBS (500 kg)

**CLAD BOY**

**Cool Boy®**

**ROTA BOY**

AUTOMAK ASSEMBLY INC.

1190 Arrowhead Court, Crown Point, IN 46307, USA

E-mail: [info@automakassembly.com](mailto:info@automakassembly.com) Web: [www.cladboyusa.com](http://www.cladboyusa.com)

Phone: (219) 310 8458

Fax: (219) 779 9246